



**JZC TELECOM
Technology**

Shenzhen JZC TELECOM Technology CO.,LTD.

JZX893 Micro Power Wireless Data Module

User's Manual



DVER 2.0

SHENZHEN JZC TELECOM TECHNOLOGY CO., LTD

TEL:+86-755-86714296-805

FAX: +86-755-22676585

Email:business@jzctx.com

Skype:jizhuo_002

**Address:NO.308-310 ,B BLD, Xanadu Creative Park,Ping Shan 1 Road,Taoyuan
Street, Nanshan District,Shenzhen China**

Mobile:+86-13692285161

Website: <http://www.rfmodules.net/>

P.O.: 518040

JZX893 Micro Power Wireless Data Module

JZX893 data transmission module is highly integrated micro-power half-duplex wireless data transmission module, which uses "SI" high-performance RF chips and high-speed microcontroller. Module provides eight channels, and is equipped with a professional set-up software for the user to change parameters, the module with transparent transmission mode, no user-written set and transmission procedures, you can transmit data of any size. Module is small, the use of voltage is wide, easy to use



Applications:

- ※ Water, electricity, gas, heating automatic meter reading system
- ※ Wireless smart terminal PDA
- ※ Wireless Queue System
- ※ Wireless alarm and security system
- ※ Smart Card
- ※ Medical and electronic instrumentation automation control
- ※ Intelligent teaching equipment
- ※ Intelligent home automation and lighting control
- ※ Wireless electronic scale

Features:

- ※ Frequency:470-510MHz
- ※ Distance:4000m(1200Bps)
- ※ Modulation:GFSK
- ※ Transparent transmission
- ※ Built-in watchdog to ensure long-term reliable operation
- ※ UART/TTL、RS232、RS485 Interface
- ※ Convenient and flexible
- ※ Almost 512bytes data buffer
- ※ Suitable for built-in installation

JZX893 wireless module, the use of ISM frequency band, without application frequency; can be set to 8 communication channels, transmit power of 1W (30dB), high receiver sensitivity-123dbm, size 58mm *38mm * 10mm (without antenna base) , a large number of the queuing system to use, very convenient for users to do the embedded wireless systems.

JZX893 the use of transparent transmission, in order to ensure the reliability and stability of the user's system, plus the transmission check-sum or CRC check-sum error detection mode, the error data re-transmission. Transceiver module buffer of 512bytes, means that users can be in any state 512bytes of data transfer 1, when the speed is greater than the serial port is set to air rate, is theoretically unlimited length can send information packets, but does not recommend users to send long data packets, the proposed length of each packet data between 60 ~ 100B, generally not longer than the 120B, and recommended user program using the ARQ mode, the error data packets re-transmission. As follows:

If the actual error rate 10⁻⁴, users need to send 1KB about 10000bit information, if the 1KB data as a packet, sent at least theoretically, there will be a data error in the receiver, then the 1KB data can never be received correctly. If it is divided into 10 packages, each package 100B, then send 10 packets, the packets according to a probability of only 1 error, the error in the form of a packet re-transmission by ARQ 1, although it took more than 1 packet and the efficiency decreased by about 10%, but it can guarantee all the information is correctly received.

JZX893 set parameters, the market is no longer used wireless modules used in the traditional way to change the parameters of the jumper, causing long-term use because it brings bad, options less dynamic change is not easy, a lot of inconvenience. JZX893 using the serial port setting parameters easy and quick, easy set refers to the chip embedded in the user program and operating software in the background. Meanwhile module 1200/2400/4800/9600/19200/38400bps 6 kinds of rate and 8 frequencies; provide UART / TTL, RS232, RS485 three kinds of interfaces. Choice for users.

In the work on, JZX893 There are two ways of working, first for the conventional model, which module is powered On, is in receive mode; you also can be sending data. The second is

sleep mode, that is, through the power module in a dormant state, it must be user-controlled mode
 Wake-up pin block, the module can send and receive data.

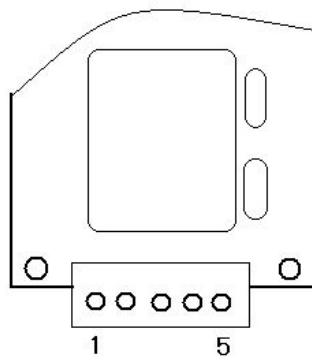
In the application of JZX893 module, the module uses a wide range of voltage, the voltage is also divided into two kinds, the first for the 5V power supply module, also known as conventional module, the voltage of DC 4.5-5.5V. The second is 3V power supply modules, custom module for the user, the voltage of DC 2.7-3.3V; users in the use of power to DC power supply, the current must be greater than 50mA, but to choose a good power supply ripple.

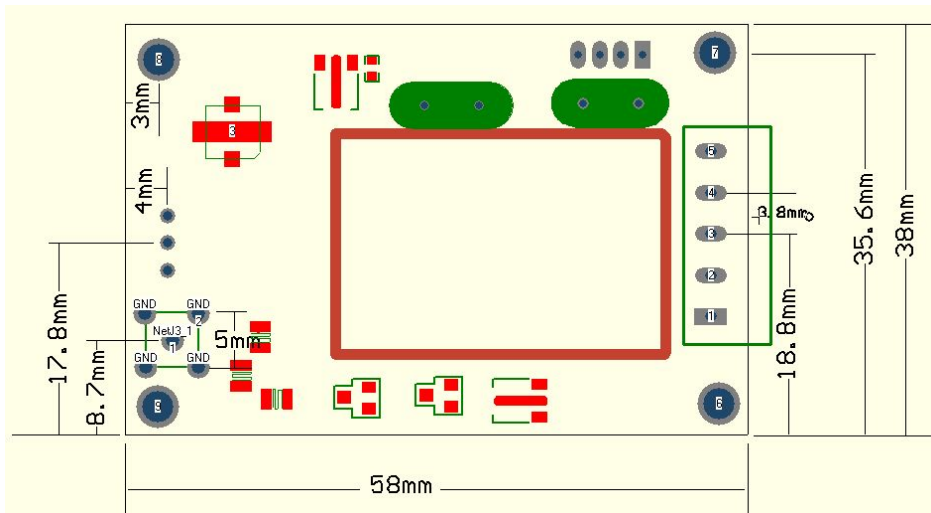
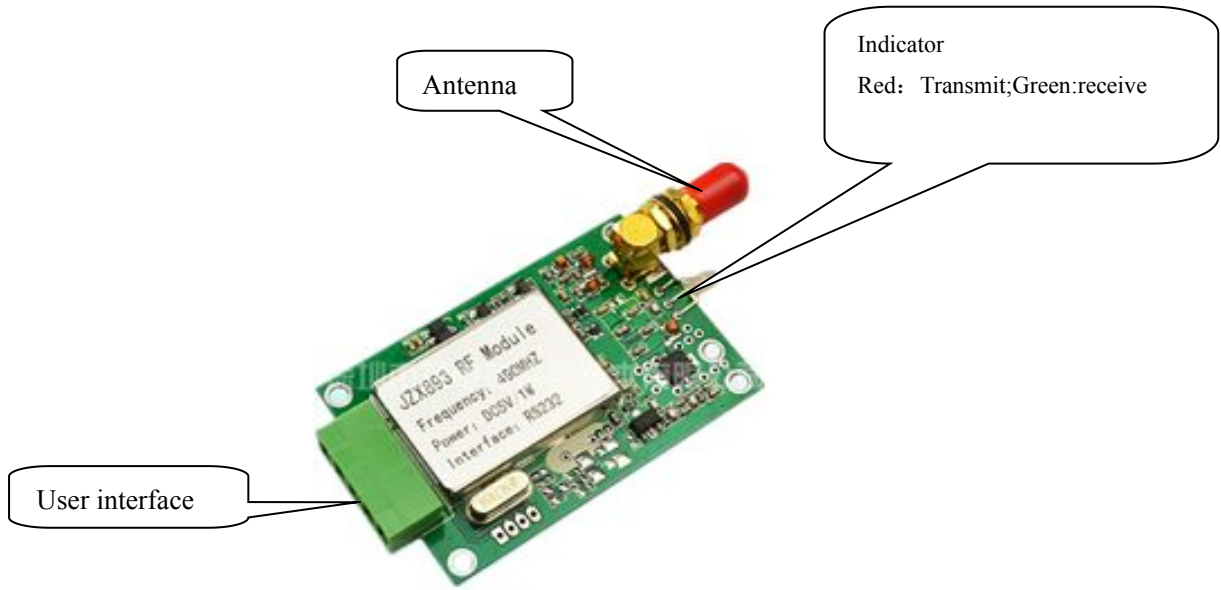
Modules pin definitions

JZX893 module J1 Interface Block, a total of five pins, defined in detail as follows:

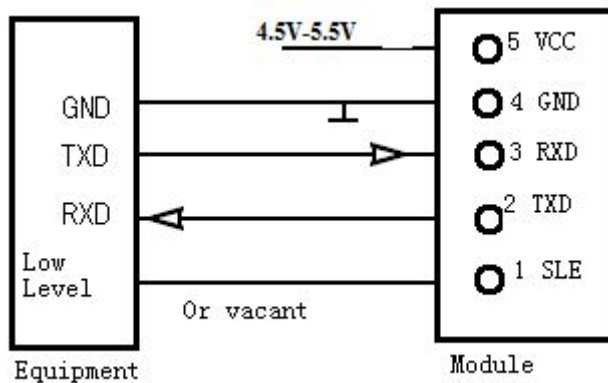
JZX893 pin definition					
pin	Radio pin	specification	User terminal	Low level	remark
5	VCC	+5V	+5V	DC5V	
4	GND	Power/terminal	DGND/AGND	Ground	
3	RXD/RS485 (B)	Serial data receiving	TXD/RS485 (B)		User transmitting
2	TXD/RS485 (A)	Serial data-transmitting	RXD/RS485 (A)		User receiving
1	SLE	Sleep-mode-input-control		TTL	Low-level-into sleep-mode.high level-into-wake up

Dimension



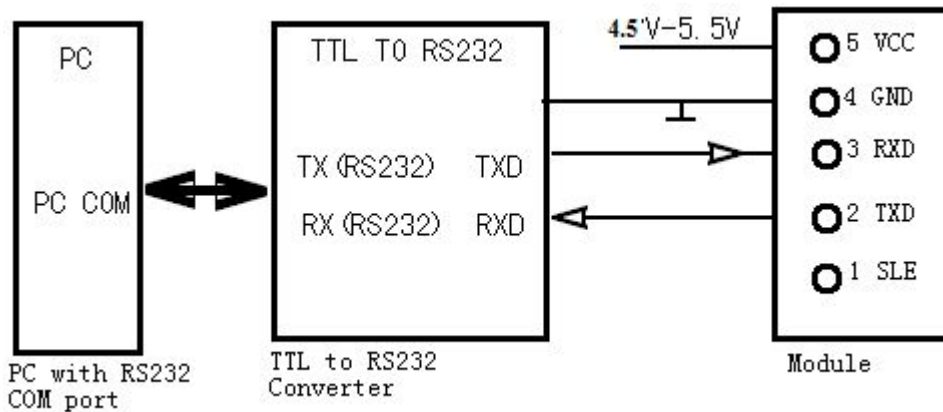


Module with customer equipment connections



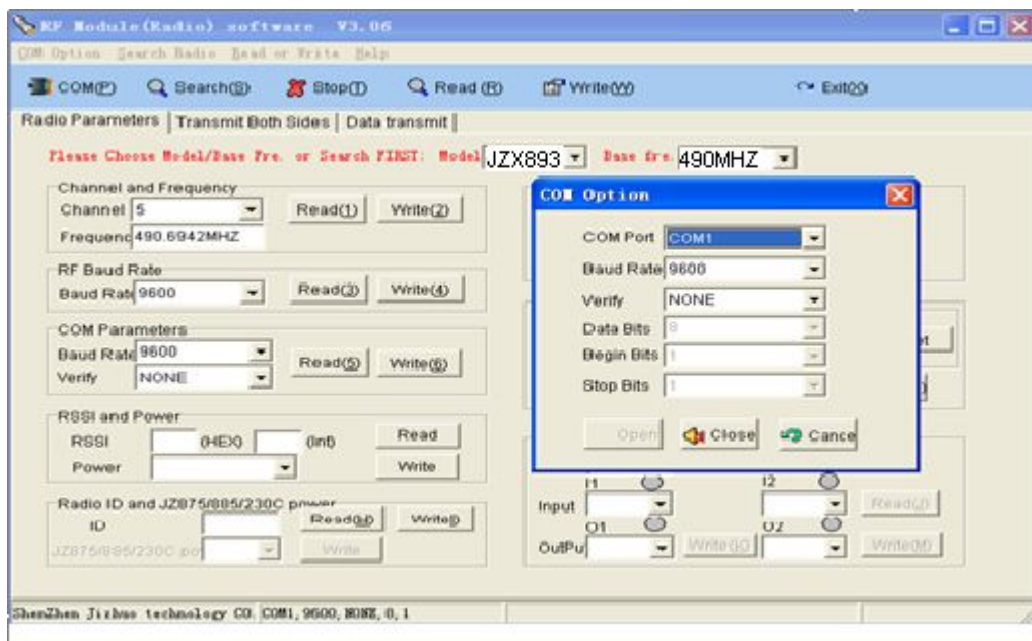
Note: JZX893 did not sleep in the state, the module of the SLE feet must be vacant. In the sleep state when the module must be low, the module can send and receive data.

Module with PC connections



Note: As JZX893 mode TTL interface module, so the PC must be added to connect the TTL to RS232 converter, and converter must supply DC 5V of electricity.

For software testing and change parameters



A, between the JZX893 module and connect a PC RS-232 to TTL adapter, and plug in the power, select the serial port used.

B, the radio detection, when the check to the station (the software will prompt detection success), you can read or change a single parameter.

C, change parameters, when you select a parameter you want to set, after set up to read again, to see the parameters of the module is not what you want.

Note: Two or more modules to communicate, then the frequency of the station modules and air rate must be consistent.

Module to communicate with user equipment, the module's serial port parameters and user settings must be consistent.

Communicated Module

JZX893 wireless module with all the JZX89.JZX89 series of models to communicate with each other. Communication as long as you pay attention to the following:

- A, select all the modules to the same channel.
- B, you have the same communication module of the air rate.
- C, the communication module, power supply, interface connection is connected.

Sleep Mode

JZX893 divided into dormancy release version with no sleep. JZX893 sleep after the current is 10uA. JZX893 hibernation wake-up mode for the hardware. Wake is the fifth through the interface hardware input pin high to sleep, wake-up input low.

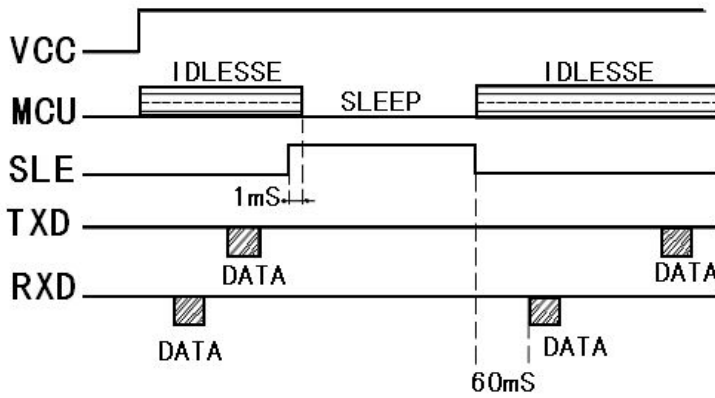
If the user has a sleep function JZX893, but do not want to use the hibernate feature, available through JZX893 pin 5 to ground, then achieve.

Details as followings

Module in the working state to sleep state, it is necessary to SLE pin from low to high, if the module is idle (no transmit / receive data) MCU to sleep within about 1ms; If you are in the collection and development data, the data will be processed the frame side to sleep.

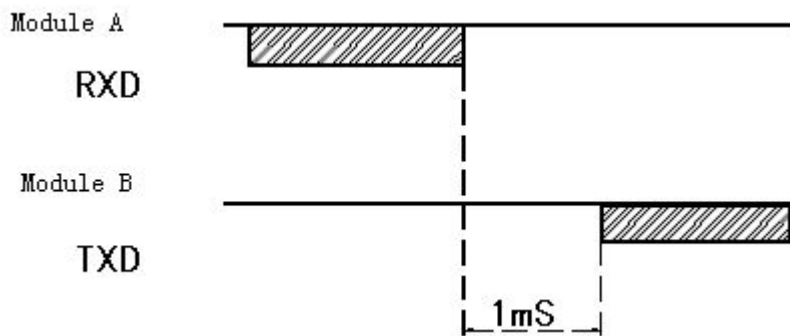
Module in sleep state to work state, it is necessary to SLE pin from high to low, MCU is working

on several ms to enter into the state, but in order to send data to the stability of the user side should be more than 60ms latency available for data transmission.



Transform on transceiver and receiver

End user devices receiving the data sent by the module, and then transferred to the data center must have sent more than 1ms delay.

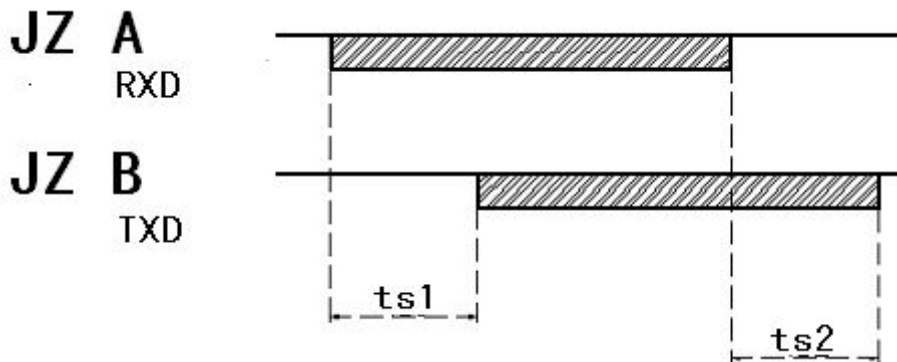


From Module A(transmit) to Module B(receive)

When the user is doing data transfer, the data must take into account the delay module, in order to ensure the reliability of wireless transmission, the company added the module FEC (forward error), and other encoding rules. Then from A to B module module, in the middle of the transmission of data with different baud rates for the delay,

in the following table:

Air rate (bps)	Time ts1 (ms)	Air Rate (bps)	Time ts1 (ms)
38400	15	4800	75
19200	22	2400	120
9600	40	1200	160



JZX893 default parameter

Channel: First channel;
 Serial port speed: 9600BPS
 Serial port verification: Null
 Airborne speed: 9600BPS

Channel	Frequency	Channel N	Frequency
1	487.5072MHZ	5	490.6942MHZ
2	488.4289MHZ	6	491.1580MHZ
3	489.2329MHZ	7	491.7360MHZ
4	489.9260MHZ	8	492.4388MHZ

Technical specification of JZX893 :

Technical specification	
Modulation:	GFSK
Frequency:	490MHz
Transmit Power:	1W(30dB)
Receiver sensitivity:	-123dBm
Transmit Current:	<1A (TTL)
Receive Current:	<45mA
Sleep Current:	<1mA
Channel Rate:	1200/2400/4800/9600/19200/38400Bit/s Customized
Serial Port Rate:	1200/2400/4800/9600/19200/38400Bit/s Customized
Interface:	UART/TTL RS232 RS485
Interface-data-format:	8E1/8N1/8O1
Working Power:	DC 4.5-5.5V
Working Temperature:	-20℃~75℃ (Customized to -40℃~85℃)
Working humidity:	10%~90%
Size:	58mm*38mm*10mm
Communicated Model:	JZX871/JZX893/JZX893/JZX874/JZX875/JZX878

Optional Antenna:



Trouble and solve ways:

Trouble and solve ways:	
Troubles	Cause and Remedy
Between devices not communicated	Communication at both ends of the air rate, parity inconsistency
	Frequency inconsistency
	Without power
	Module has destroyed
	The pin of sleep mode not set
Short Distance	Environment very bad or the antenna is blocked
	The existence of the same frequency or magnetic or electrical interference, or replacement of the channel away from sources of interference
	Power match or not. Voltage and current is large enough
Module cant communicate with PC	Without power
	TTL to RS232 converter is damaged, or without power supply
	Converters .module.pc with connection error
	Change work channels
	Serial port baud rate settings are not correct or air, to re-set
	Power supply ripple big, replace the power supply

Note: All of the rights of final interpretation and modification by our company