



**JZC TELECOM**  
Technology

Shenzhen JZC TELECOM Technology CO.,LTD.

## **JZX902 GPRS MODULE**

### **User's Manual**



**DVER 2.0**

**SHENZHEN JZC TELECOM TECHNOLOGY CO., LTD**

---

**TEL:+86-755-86714296-805**

**Mobile:+86-13692285161**

**FAX: +86-755-22676585**

**Website: <http://www.rfmodules.net/>**

**Email:[business@jzctx.com](mailto:business@jzctx.com)**

**P.O.: 518040**

**Skype:[jizhuo\\_002](https://www.skype.com/user/jizhuo_002)**

**Address:NO.308-310 ,B BLD, Xanadu Creative Park,Ping Shan 1 Road,Taoyuan Street, Nanshan District,Shenzhen China**

This product relies on China Mobile's GPRS network platform for wireless data communication, To overcome traditional wireless communication short distance, unstable performance, to provide high-speed, online, transparent data transmission for users. Achieve uncovers, no distance limitations, roaming national. Widely used in power automation, industrial control, traffic management, weather, finance, environmental monitoring, coal, oil, securities and other industries. Using GPRS network platform to achieve transparent transmission of data, to meet the various applications of our networking, has flexibility, communication center needs to be fixed IP.

## **JZX 902 Feature**

- independent research and development, with a real-time operating system for embedded 32-bit ARMv7-MCU.
- Working frequency:850/900/1800/1900MHz. quad-band applicable to all countries of the world (including North and South America)
- Embedded PPP , TCP, UDP, ICMP protocol stack, transparent data transmission, data terminals always online.
- inner watchdog, the relay power management, no crash, no dropped and automatically restored, more variety of operating modes can choose, flexible, convenient.
- anti-jamming design, even the hardware deadlock, ordinary watchdog can not service processor and communication module, It's still can automatic return to the normal state functions.
- Interface: standard industry TTL, RS232, RS485
- Equipment operating instructions-Fi and Network connection.
- Providing user setup software, open interfaces.
- Industrial aluminum alloy shell, anti-interference, durable, easy to install, industrial temperature range
- Temperature: -40 ° C -80 ° C
- More baud rate can be set.
- Support the GSM dial wake-up and always-on mode of operation.

### 1.3 Electromagnetic Interference

Most of the electronic equipment taken the electromagnetic protection measures, but old-fashioned device also may not take appropriate protective measures, the radiation of RF energy may malfunction, checking electromagnetic protection in short range well make well when use JZX90.

### 1.4 Technical parameters

#### 1.4.1 GSM / GPRS:

Frequency: 850/900/1800/1900MHz quad-band applicable to global (including North and South America)

GPRS Multi-slot Class 12

GPRS Mobile Station Class B

GPRS code: CS1 to CS4

Output power: Class 4 (2W) at GSM850MHz and GSM900MHz

Class 1 (1W) at DCS1800MHz and PCS1900MHz

Sensitivity: 108 dBm (typ.) at EGSM900 MHz 106 dBm (typ.) at DCS1800MHz

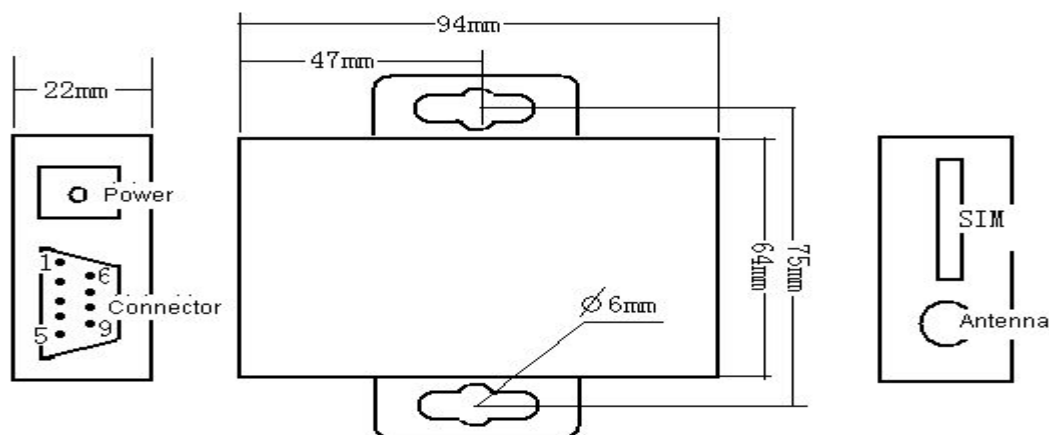
Compatible with standard AT commands (GSM07.05 and 07.07)

Support the extended instruction

Support SMS, USSD, CSD

Embedded TCP / IP protocol

#### 1.4.2 Application Interface and volume (see below)



- \*This product provides four hardware interface
- \* DB9 male interface (TTL/RS232/RS485),
- \*A DC: 5 to 24V power connector.
- \*An SMA RF interface connected with antenna
- \*An embedded SIM card connected to the SIM card.
- \*Volume: 94mm (L) \* 64mm (W) \* 22mm (H)
- \*Weight: 220g (including antenna, data cable)

### **1.4.3 Electrical parameters**

Operating voltage DC 5V ~ 12V

Power consumption:

--Standby: <50mA @ 5V

--Communication: <200mA @ 5V

Emission peak: 1.5A @ 5V

### **1.4.4 Environmental parameters**

Operating temperature -40 ° C to 80 ° C

Storage temperature -45 ° C to 125 ° C

Relative Humidity: 20% ~ 95% (non-condensing)

### **1.4.5 light signals**

POWER ----- bright for DUT on power

GPRS ----- always bright for registered GPRS network

DATA ----- lights flash indicates DTU working in normal, fast flash mean have data communication



### 1.4.6 Interface Definition

Project	Pin	Function	Description	Connection
Power Block	Inner Pin	Positive power	DC:5~12V	DC:5~12V
	Out Pin	Negative power	GND	GND
<b>Data Connection</b>	2Pin	TXD/A	TTL/RS232 : Data sender, RS485: A	The reception of the user equipment
	3Pin	RXD/B	TTL/RS232:data receiving, RS485: B	The sending of the user equipment
	5Pin	Data lines:GND	GND	GND

**Note: All of the rights of final interpretation and modification by our company**